



by Polyvision

See the world... right here and now

Flexible and cost effective, the all-in-one fuse digital visualizer is a document camera to display and annotate over live demonstrations, web camera to connect with other classrooms and scanner to capture student work. Only fuse opens a world of discovery in a single, compact solution, creating distance learning fusions between remotely connected classrooms. fuse's proprietary TrueSnap™ technology automates perfect alignment and document clean-up to free up lesson preparation time-and bring learning to life.

True Snap technology



Original scan



Recolor

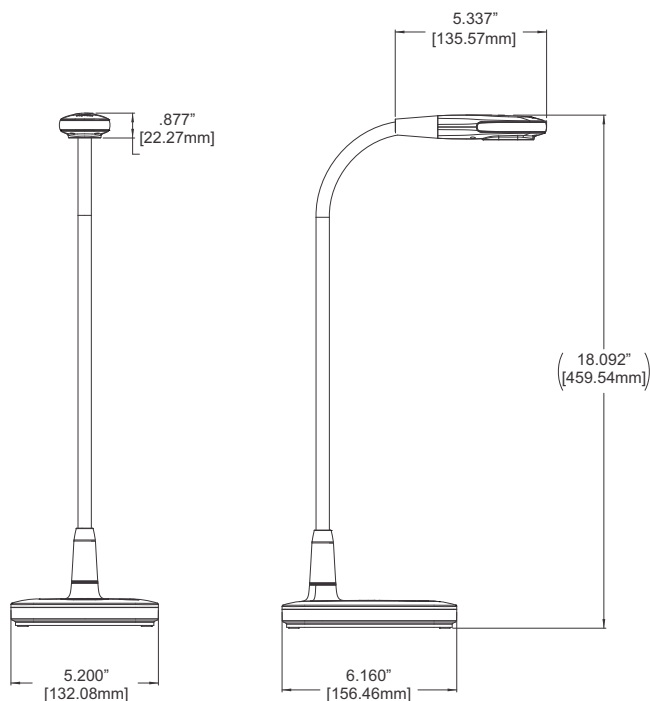
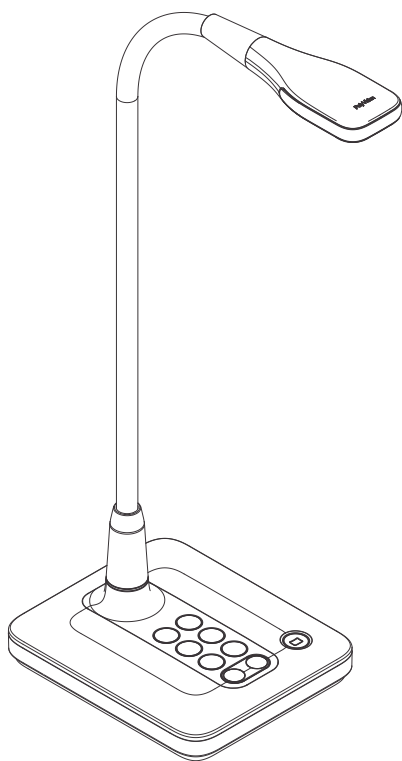


Realign and unbind

Features

- Distance learning : At 30 frames per second, the fuse visualizer is optimized for distance learning and high resolution video capture and the flexible arm can be adjusted during video sessions so every student and object becomes part of the lesson.
- Flexible classroom solution : fuse offers multi-point control from the camera, window or icon strip. Any subject from 11" x 17" binders to 3D objects may be scanned, printed, video-recorded and saved. It gives teachers the flexibility to record, scan or resize images right from the interactive whiteboard.
- Consistent learning : Substitute instructors easily access lessons and pick up where teachers left off. Absent students keep up with projects with 24/7 playback accessibility.
- TrueSnap technology : Only fuse offers PolyVision's patented TrueSnap technology to automatically rotate documents, eliminate the bend caused by book-binding and provide instant high-contrast photocopies - with just one press of a button.
- Green learning : One simple USB-powered cord eliminates expensive power requirements and fuse's multi-function capabilities minimize paper and facilitates virtual field trips to support eco-awareness.

Installation Overview



*Antimicrobial protection is limited to the treated article and does not protect a user against disease causing bacteria. Always clean products thoroughly after each use.

Whitemark[®] Limited

REGD. OFFICE

M-1, Chiranjiv Tower, 43 Nehru Place,
New Delhi - 110019.
Phones : (011) 26479314 / 26233990
Fax : (011) 26217129
E-mail : info@whitemark.in
Website : www.whitemark.in

GURGAON OFFICE

12, Amaltas Marg,
DLF City, Phase-I, Gurgaon-122002.
Phone : (0124) 4052708
Telefax : (0124) 4052709
E-mail : gurgaon@whitemark.in

BANGALORE OFFICE

78, New Timber Yard Layout,
Mysore Road, Bangalore - 560026.
Phone : (080) 65969551
Telefax : (080) 26744754
E-mail : bangalore@whitemark.in

Fuse Specifications

Camera

- Sensor: CMOS, 3.2 megapixels
- Lens: scratch-resistant 6mm glass
- Resolution: High definition 1080 P
- Frame Rate: 30 fps (max)
- Zoom: 8x digital
 - Capture Area: 17" x 11" (max); 2.25" x 1.8" (min)
- Focal range: 3.9" - ∞"
- Lighting: Bulb-free LED lasts 50,000 hours
- Interface: USB 2.0
- Kensington Lock Slot
- Weight: 3.5 lbs
- Flex Neck Length: 20.5"

Software

- PolyVision fuse application for Windows[®] and Macintosh[®]
- Video program: AVI
- Image Capture/Scan: JPEG, Adobe PDF, PNG, BMP, GIF, TIFF
- Button Functions:
 - Application Launch -- Auto Focus
 - Auto Tune
 - LED Light On/Off -- Rotate Image (90°) -- Screen Lock
 - Zoom In/Out
 - Image Capture/Scan: Saves directly to computer
 - Video Recording: Saves directly to computer
 - Print
- TrueSnap technology for image clean-up
- Output Modes: aspect ratios :
1024 x 768; 1280 x 1024; 1600 x 1200; 2048 x 1536

Warranty

- 1-year limited warranty for replacement or repair

Certifications

- FCC, CE, RoHS, REACH

Included in the box

- 1.8m USB 2.0 cable
- eNo icon strip
- CD with application and user manuals
- Quick start guide

©2012 Whitemark Limited. All rights reserved. Trademarks used herein are the property of Whitemark Limited or of their respective owners. We reserve the right to make changes in product design, construction or detail, and to discontinue any product or material without notice.